

# DIVIDED CAPNOGRAPHY CANNULAS WITH O<sub>2</sub> DELIVERY



Accurate monitoring of spontaneous-breathing patients for end-tidal CO<sub>2</sub> and other exhaled gases can be challenging. One reason is that supplemental oxygen, delivered by mask or cannula, tends to dilute end-tidal gases and distort waveforms. But Salter's special capnography sampling cannulas permit an undiluted sample, even with simultaneous insufflation of oxygen or gaseous analgesia. This results in a waveform similar to that obtained with an intubated patient.

## Divided Capnography Cannulas With Simultaneous Oxygen Delivery

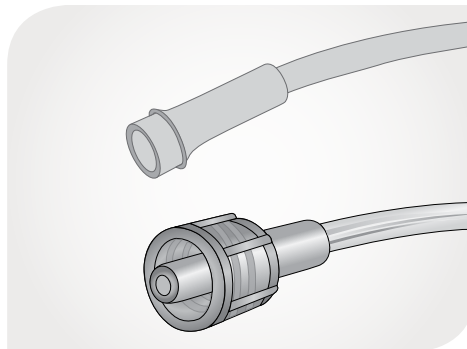
Salter design accommodates end-tidal sampling from one nare and oxygen or gaseous analgesia delivery to the other, and does not interfere with patient observation.

Salter capnography cannulas are available with multiple configurations compatible with a variety of capnography monitors and/or room configurations.

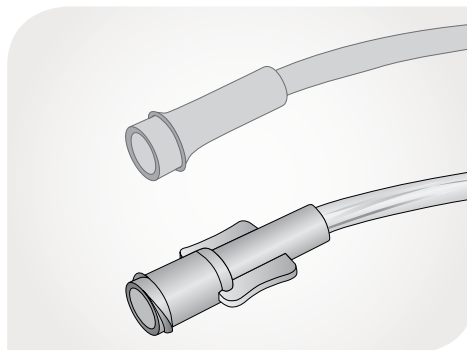
### Connection type

Salter capnography cannulas are available for monitors with Luer-Lok® connectors:

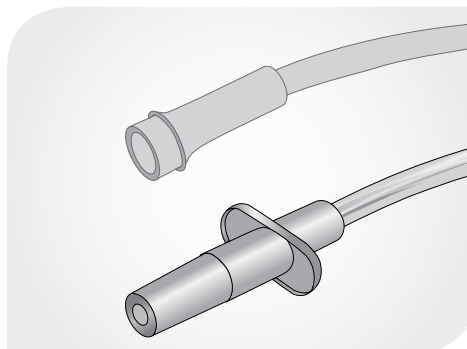
Male Luer-Lok connectors



Female Luer-Lok connectors



Male Luer-Slip connectors



### Oral sampling

Salter capnography cannulas are available with an Oral-Trac® oral sampling line to enable sampling from mouth-breathing patients.



### CO<sub>2</sub> filtration

Salter capnography cannulas are available with inline filtration to protect monitoring equipment from moisture.



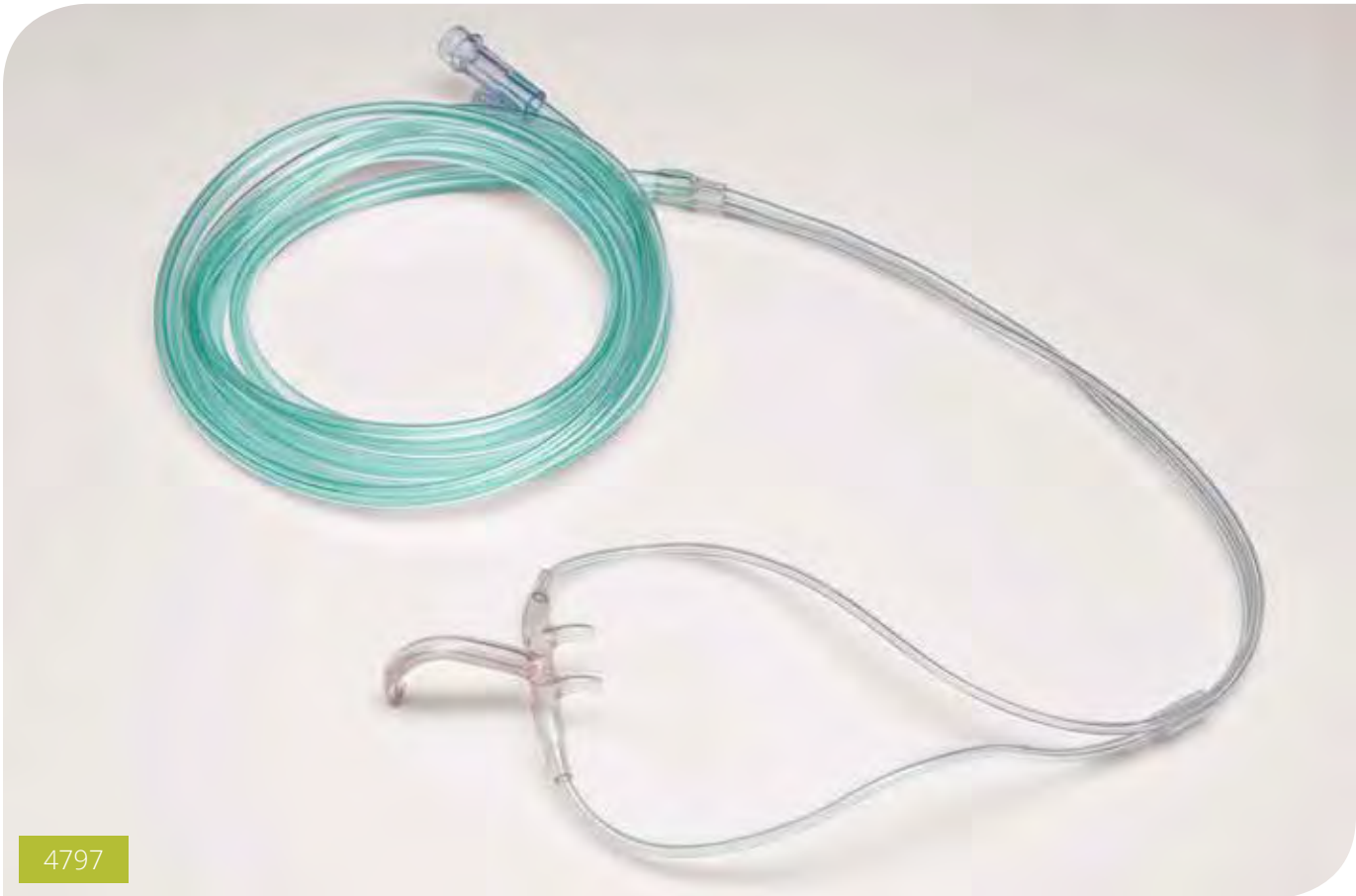
### Tubing securement

Salter capnography cannulas are available with two Tender Grip® skin-fixation pads to secure tubing away from the operating site for ophthalmic, oral maxillofacial, or other procedures.



## Adult cannulas for monitors requiring male Luer-Lok® connectors

Oxygen delivery line length	Capnography sampling line length	Filter	Units per case	Item number
<b>Standard divided cannulas</b>				
7' O <sub>2</sub> supply line	<b>2" CO<sub>2</sub> pigtail</b>	<b>No</b>	<b>25</b>	<b>4706-7-0-25</b>
	2' CO <sub>2</sub> line	Yes	25	4708-7-2-25
	<b>7' CO<sub>2</sub> line</b>	<b>No</b>	<b>25</b>	<b>4707-7-7-25</b>
10' O <sub>2</sub> supply line	10' CO <sub>2</sub> line	Yes	25	4707SP-7-7-25
10' O <sub>2</sub> supply line	10' CO <sub>2</sub> line	No	25	4707-10-10-25
13' O <sub>2</sub> supply line	<b>13' CO<sub>2</sub> line</b>	<b>No</b>	<b>25</b>	<b>4707-13-13-25</b>
<b>Divided cannulas with oral sampling</b>				
7' O <sub>2</sub> supply line	2" CO <sub>2</sub> pigtail	No	25	4796-7-0-25
	7' CO <sub>2</sub> line	No	25	4797-7-7-25
		Yes	25	4797SP-7-7-25
<b>Divided cannula with Tender Grip pads</b>				
7' O <sub>2</sub> supply line	7' CO <sub>2</sub> line	No	25	T4707-7-7-25



### Adult cannulas for monitors requiring female Luer-Lok connectors

Oxygen delivery line length	Capnography sampling line length	Filter	Units per case	Item number
<b>Standard divided cannulas</b>				
7' O <sub>2</sub> supply line	2" CO <sub>2</sub> pigtail	No	25	4706F-7-0-25
	7' CO <sub>2</sub> line	No	25	4707F-7-7-25
14' O <sub>2</sub> supply line	14' CO <sub>2</sub> line	No	25	4707F-14-14-25
<b>Divided cannulas with oral sampling</b>				
7' O <sub>2</sub> supply line	2" CO <sub>2</sub> pigtail	No	25	4796F-7-0-25
	7' CO <sub>2</sub> line	No	25	4797F-7-7-25
<b>Divided cannulas with Tender Grip pads</b>				
7' O <sub>2</sub> supply line	2" CO <sub>2</sub> pigtail	No	25	T4706F-7-7-25
7' O <sub>2</sub> supply line	7' CO <sub>2</sub> line	No	25	T4707F-7-7-25

Our most popular models are indicated by **Salter Green** throughout this catalog.



4707

**Adult cannulas for monitors requiring male Luer-Slip connectors**

Oxygen delivery line length	Capnography sampling line length	Filter	Units per case	Item number
<b>Standard divided cannula</b>				
7' O <sub>2</sub> supply line	2' CO <sub>2</sub> line	Yes	25	4787-7-2-25

**Pediatric cannulas for monitors requiring male Luer-Lok connectors**

Oxygen delivery line length	Capnography sampling line length	Cannula type	Units per case	Item number
<b>Standard divided cannulas</b>				
<b>7' O<sub>2</sub> supply line</b>	<b>2" CO<sub>2</sub> pigtail</b>	Infant	25	4701-7-0-25
		Intermediate infant	25	4705-7-0-25
		<b>Pediatric</b>	<b>25</b>	<b>4702-7-0-25</b>
	<b>7' CO<sub>2</sub> line</b>	Infant	25	4700-7-7-25
		Intermediate infant	25	4704-7-7-25
		<b>Pediatric</b>	<b>25</b>	<b>4703-7-7-25</b>
<b>Oral Sampling</b>				
7' O <sub>2</sub> supply line	7' CO <sub>2</sub> line	Pediatric	25	4793-7-7-25

### Infant and pediatric cannulas for monitors requiring female Luer-Lok connectors

Oxygen delivery line length	Capnography sampling line length	Cannula type	Units per case	Item number
<b>Standard divided cannulas</b>				
<b>7' O<sub>2</sub> supply line</b>	<b>2" CO<sub>2</sub> pigtail</b>	Infant	25	4701F-7-0-25
		Intermediate infant	25	4705F-7-0-25
		<b>Pediatric</b>	<b>25</b>	<b>4702F-7-0-25</b>
	7' CO <sub>2</sub> line	Infant	25	4700F-7-7-25
		Intermediate infant	25	4704F-7-7-25
7' O <sub>2</sub> supply line	7' CO <sub>2</sub> line	Pediatric	25	4703F-7-7-25
<b>Divided cannula with oral sampling</b>				
7' O <sub>2</sub> supply line	7' CO <sub>2</sub> line	Pediatric	25	4793F-7-7-25

### Pediatric cannula for monitors requiring male Luer-Slip connectors

Oxygen delivery line length	Capnography sampling line length	Cannula type	Units per case	Item number
<b>Standard divided cannula</b>				
7' O <sub>2</sub> supply line	2' CO <sub>2</sub> line	Pediatric	25	4783-7-2-25

### Capnography cannula accessories

Description	Units per case	Item number
Anesthesia circuit oxygen adapter, 22 mm ID x 6 mm OD	25	1020-0-25